

## World Wide Facilities to Serve You



### SAFE-T HYDRO, INC.

Unit 49, 1833 Coast Meridian Road  
Port Coquitlam, B.C. V3C 6G5  
Phone: 604-941-1116  
Fax: 604-944-2851  
Email: lwales@safe-thydro.com

### INTERNATIONAL HEADQUARTERS HYDRO, INC.

834 West Madison, Chicago, IL 60607  
Phone: 312-738-3000  
Fax: 312-738-4182  
Email: info@hydroinc.com



*Quality Products and Services Since 1969*

# SAFE - T Hydro

Single Cartridge Mechanical Seal  
200 SC





## Advanced Mechanical Seal Model 200 SC

### *Specifications*

- Balanced Single Cartridge Design - Able to run at higher speeds, temperatures and pressures. The cartridge design makes installation much easier.
- Heat Shrunk Rotary Face - The uniformity of the face installed in the holder reduces the possibility of face separation, shattering or cracking.
- Conforms to API 610 and 682. Made to North American ANSI Pump Sizes. - Can be used in the Oil and Gas Industry as well as conforming to most North American Pump Designs.
- Stationary springs are mounted in the seal body. - Stable running at higher speeds.

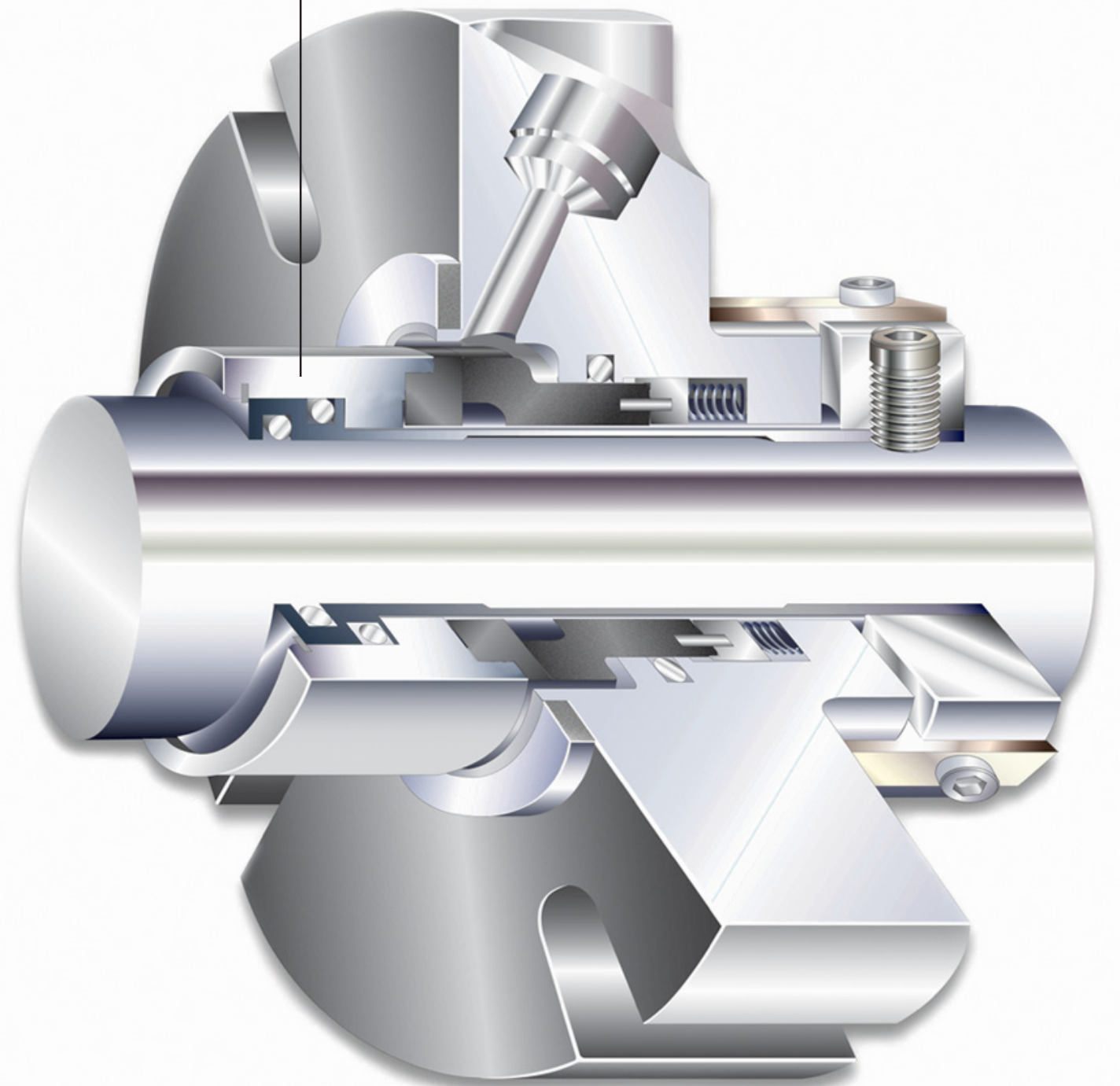
### *Operating Limits*

Pressure: Full Vacuum up to 420 psi

Temperature: -22 F to 401 F

Speed: Up to 98.4 feet per second

Increase service life of a seal with a patented face attachment method



SAFE-T SEAL 200 SC